

DOUBLE TOP



FOR DOUBLE TRACK SLIDING WARDROBE DOORS TO 45KG

For a wide range of double leaf, wood or composite sliding doors, with easy soffit fixing top track and floor guides or optional bottom channel.

KITS

Standard kits for 2 or 3 leaf units contain: jump-proof soffit fixing aluminium section track; nylon-tyred, face-fixing, ball-bearing hangers; nylon guides; rubber-buffered stop; screws and fixing instructions.

OPTIONAL EXTRAS

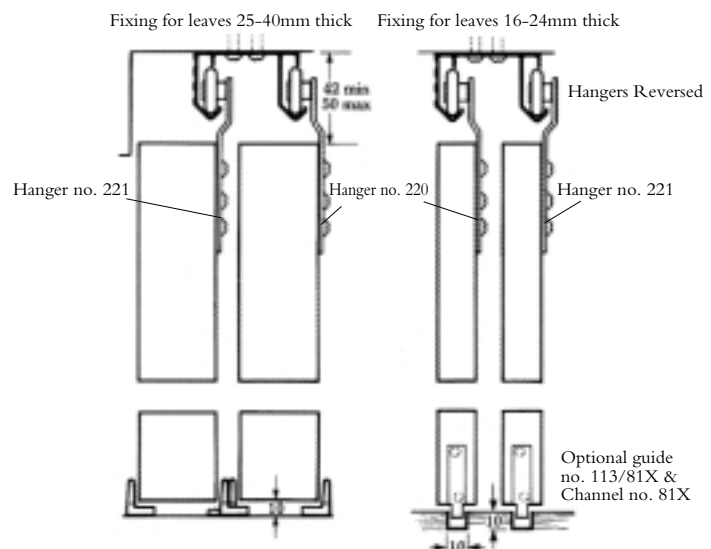
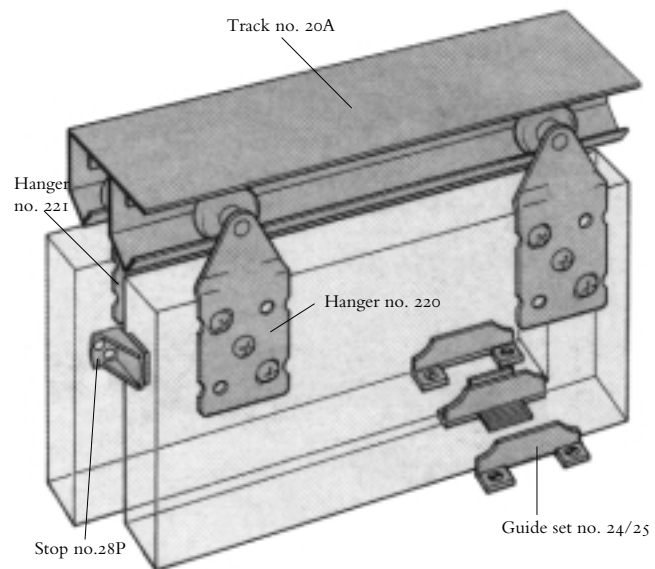
Optional extras include: fittings pack no. W01 (1 extra leaf), no. W02 (2 extra leaves); guide no. 113/81X (2 per door) and guide channel no. 81X; flushpull no. 400; reversible hangers no. 222; latch set no. 295; door edge sponge strip no. 537 (see pp 52-57 for full product descriptions). Bulk component packs are also available.

INSTALLATION NOTES

(also see drawing)

For 2 or 3 leaf units to a maximum 45kg weight per leaf, width to 900mm and thickness 16-40mm as standard. For heavy use applications fit optional guide no. 113/81X and guide channel no. 81X. For flexibility of layout in multi-leaf applications use reversible hangers. For triple line of doors fit additional Single Top system.

For opening widths to	No. leaves required	Kit no.
1200mm	2	W12
1500mm	2	W15
1800mm	2	W18
2400mm	3	W24
Max leaf size	2400 x 900 x 40mm	
Max leaf weight	45kg	



All dimensions in mm